
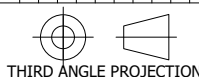
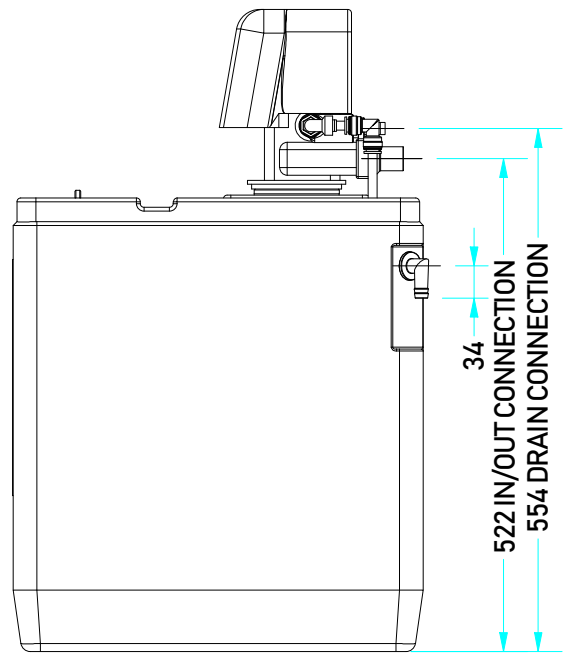
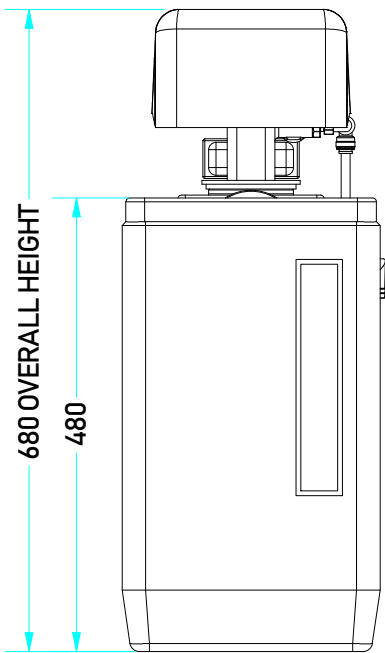
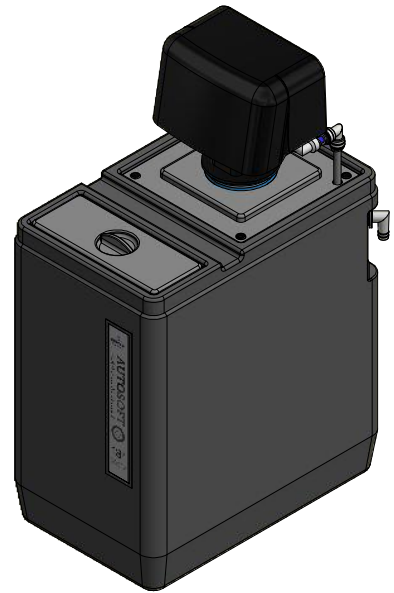
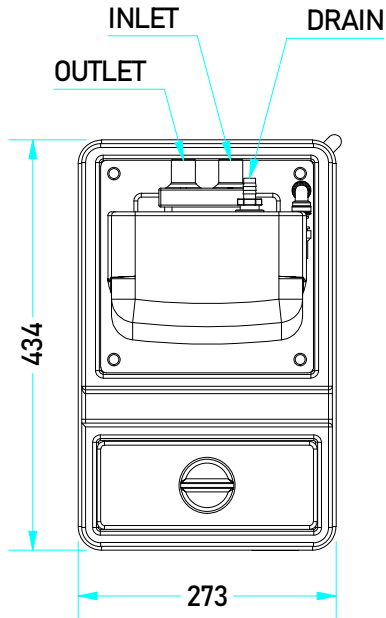


HOT WATER SOFTENER INSTALLATION REQUIREMENTS	
WATER PRESSURE	MINIMUM 1.5 bar - MAXIMUM 6.0 bar
WATER CONNECTION	3/4" BSP INLET AND OUTLET. ADEQUATE DRAINAGE AND OVERFLOW REQUIRED
WATER TEMPERATURE	MAXIMUM 35°C. PROTECT FROM FREEZING
ELECTRICAL SUPPLY	AC220V 50HZ

***NOTE* IF PRESSURE IS LESS THAN 1.5 bar EUROPEAN WATERCARE RECOMMENDS THE INSTALLATION OF A PUMPED SOFTENER.
IF PRESSURE EXCEEDS 3 bar A PRESSURE REDUCING VALVE MUST BE FITTED TO KEEP WARRANTY VALID**

	EUROPEAN WATERCARE LTD REGAL HOUSE, SOUTH ROAD HARLOW, CM20 2BL ESSEX, ENGLAND TEL: +44 (0) 1279 780 250	APPR. BY: APPR. DATE: SCALE: 1:8 @ A4 JOB No: DRAWN BY: JS DATE: 21/12/2018	TITLE: ET10 WATER SOFTENER
	EUROPEAN WATERCARE LTD <small>This drawing and its contents are the exclusive property of European Watercare Ltd and may not be used, copied or disclosed to any third party without the express written permission of European Watercare Ltd. It must be returned immediately upon request.</small>	SHEET SIZE: A4 REV. P	SHEET NUMBER: 1 OF 1





HOT WATER SOFTENER INSTALLATION REQUIREMENTS

WATER PRESSURE	MINIMUM 1.5 bar - MAXIMUM 6.0 bar
WATER CONNECTION	3/4" BSP INLET AND OUTLET. ADEQUATE DRAINAGE AND OVERFLOW REQUIRED
WATER TEMPERATURE	MAXIMUM 35°C. PROTECT FROM FREEZING
ELECTRICAL SUPPLY	AC220V 50HZ

***NOTE* IF PRESSURE IS LESS THAN 1.5 bar EUROPEAN WATERCARE RECOMMENDS THE INSTALLATION OF A PUMPED SOFTENER.
IF PRESSURE EXCEEDS 3 bar A PRESSURE REDUCING VALVE MUST BE FITTED TO KEEP WARRANTY VALID**



EUROPEAN WATERCARE LTD
REGAL HOUSE, SOUTH ROAD
HARLOW, CM20 2BL
ESSEX, ENGLAND
TEL: +44 (0) 1279 780 250

EUROPEAN WATERCARE LTD
This drawing and its contents are the exclusive property of European Watercare Ltd and may not be used, copied or disclosed to any third party without the express written permission of European Watercare Ltd. It must be returned immediately upon request.

APPR. BY:
APPR. DATE:
SCALE: 1:8 @ A4
JOB No:
DRAWN BY: JS
DATE: 21/12/2018

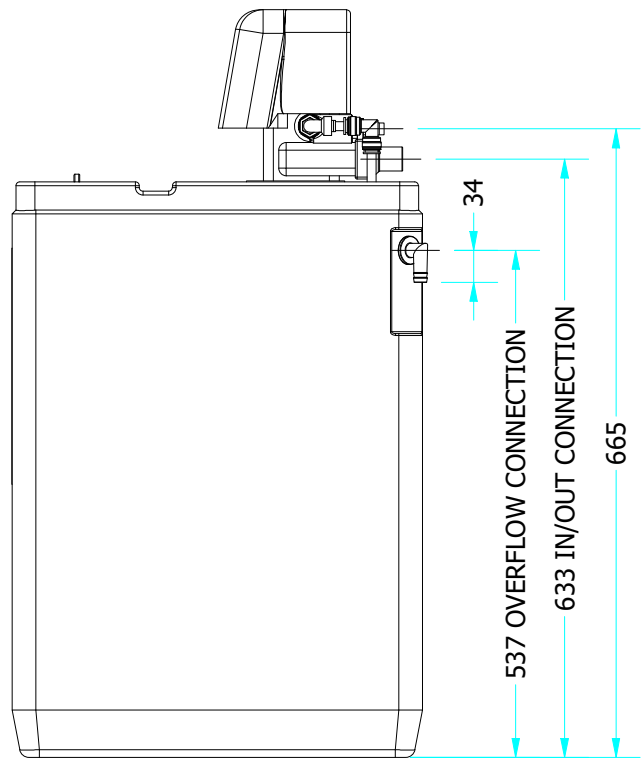
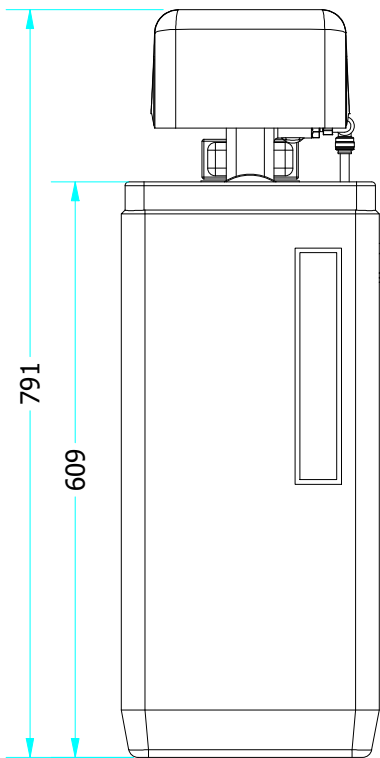
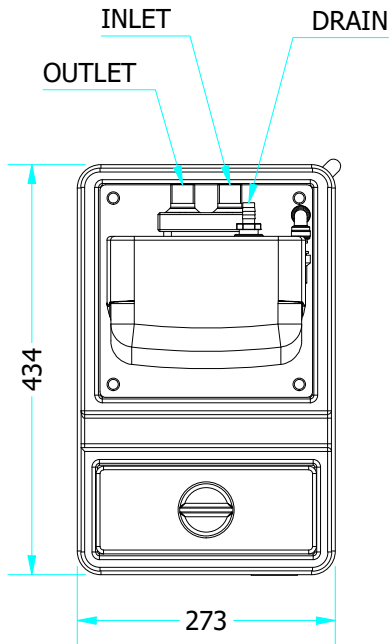
SHEET SIZE: A4
REV. P



TITLE:
ET18 WATER SOFTENER

SHEET NUMBER: 1 OF 1



DRAWING No. EWC-015-02



HOT WATER SOFTENER INSTALLATION REQUIREMENTS

WATER PRESSURE	MINIMUM 1.5 bar - MAXIMUM 6.0 bar
WATER CONNECTION	3/4" BSP INLET AND OUTLET. ADEQUATE DRAINAGE AND OVERFLOW REQUIRED
WATER TEMPERATURE	MAXIMUM 35°C. PROTECT FROM FREEZING
ELECTRICAL SUPPLY	AC220V 50HZ

***NOTE* IF PRESSURE IS LESS THAN 1.5 bar EUROPEAN WATERCARE RECOMMENDS THE INSTALLATION OF A PUMPED SOFTENER.
IF PRESSURE EXCEEDS 3 bar A PRESSURE REDUCING VALVE MUST BE FITTED TO KEEP WARRANTY VALID**

	EUROPEAN WATERCARE LTD REGAL HOUSE, SOUTH ROAD HARLOW, CM20 2BL ESSEX, ENGLAND TEL: +44 (0) 1279 780 250	APPR. BY: APPR. DATE: SCALE: 1:8 @ A4 JOB No: DRAWN BY: JS DATE: 21/12/2018	TITLE: ET23 WATER SOFTENER
	EUROPEAN WATERCARE LTD <small>This drawing and its contents are the exclusive property of European Watercare Ltd and may not be used, copied or disclosed to any third party without the express written permission of European Watercare Ltd. It must be returned immediately upon request.</small>	SHEET SIZE: A4 REV. P	SHEET NUMBER: 1 OF 1
	 THIRD ANGLE PROJECTION	DRAWING No. EWC-015-03	